

Thermodyne's 700CT counter-top holding unit provides food quality and kitchen efficiency like no other piece of equipment on the market today. Using patented Fluid Shelf® technology each shelf in the cabinet maintains an exact temperature, allowing for extended holding times, without sacrificing appearance or taste. The 700CT has twice the capacity of our 300CT model, and is available as pass through or with a solid panel back.



SPECIFICATIONS	
EXTERIOR DIMENSIONS	774.70W x 628.65D x 692.15H
INTERIOR DIMENSIONS	673.10W x 558.80D x 514.35H
MAX OPERATING TEMP	110°C
NET WEIGHT	85.7kg.
SHIPPING WEIGHT	120.2kg.

ELECTRICAL SPECIFICATIONS	
VOLTS	220 230 240
AMPS	11 12 13
TOTAL WATTS	2520 2755 3000
HERTZ	50 50 50
PHASE	1 1 1
PLUG	BS1363/A

SHELVES	
STANDARD	5

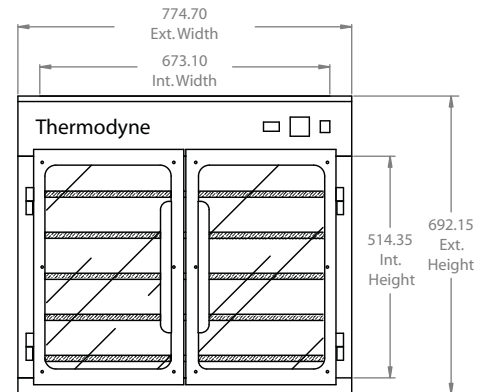
CAPACITY	
STEAM TABLE PAN	
12" x 20" x 2.5"	10

OPTIONS / ACCESSORIES	
High Temp Pans	Vented Stainless Drawer Lids
Controller Shield	Stainless Steel Drip Pan
Pass-thru	Stainless Drawer Lids
Wire Baskets	Stainless Steel Riser

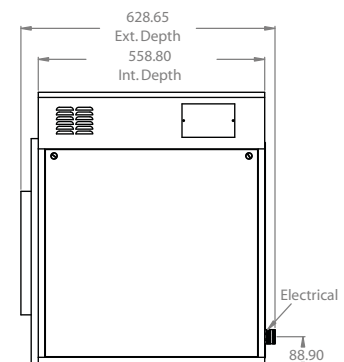
700NDNL - No doors. Includes floating lid system.	
EXTERIOR DIMENSIONS	774.70"W x 584.20"D x 692.15"H
NET WEIGHT	78.5kg.
SHIPPING WEIGHT	105.7kg.

Specifications subject to change without notice.

FRONT VIEW



SIDE VIEW



PLAN VIEW

